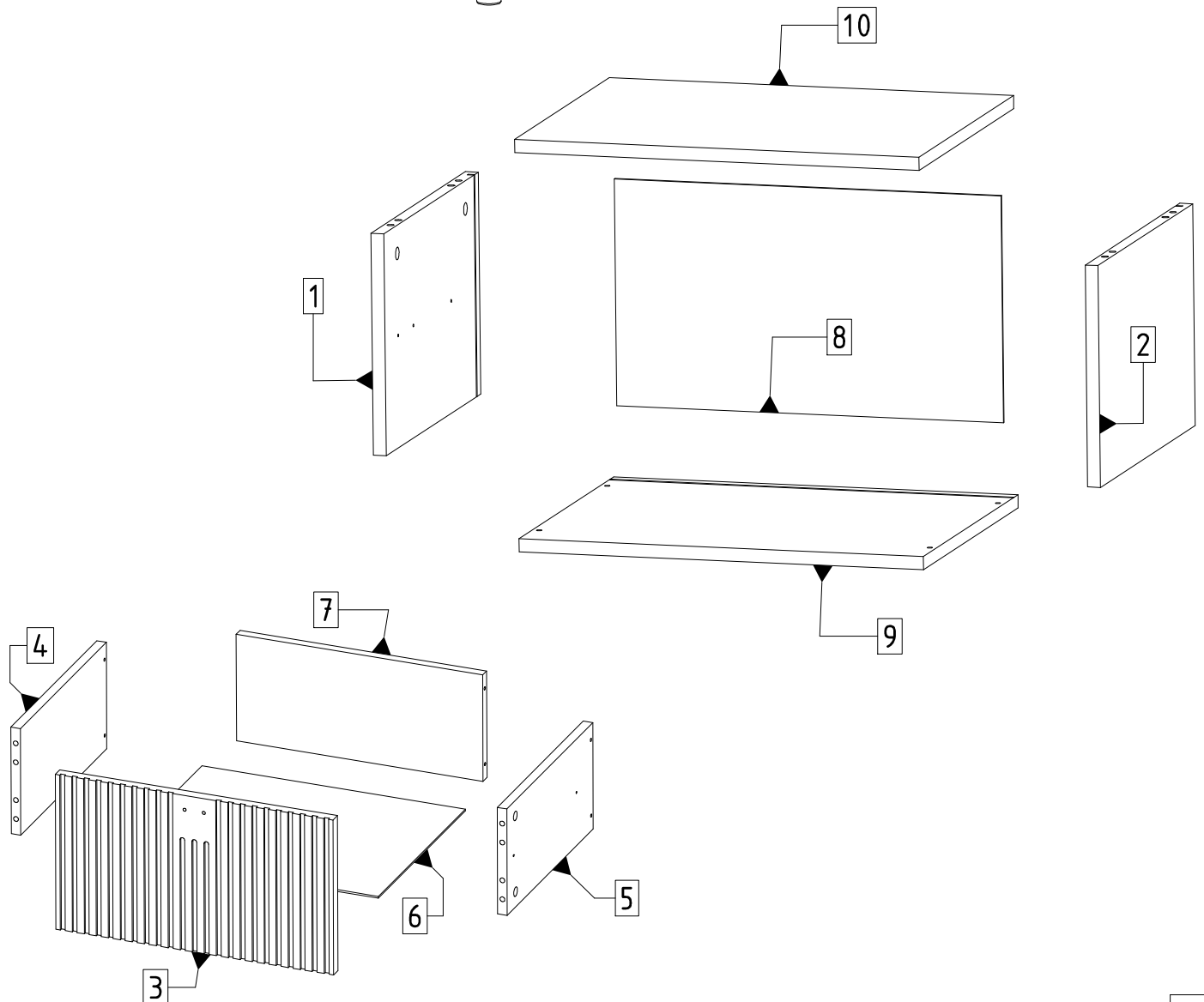
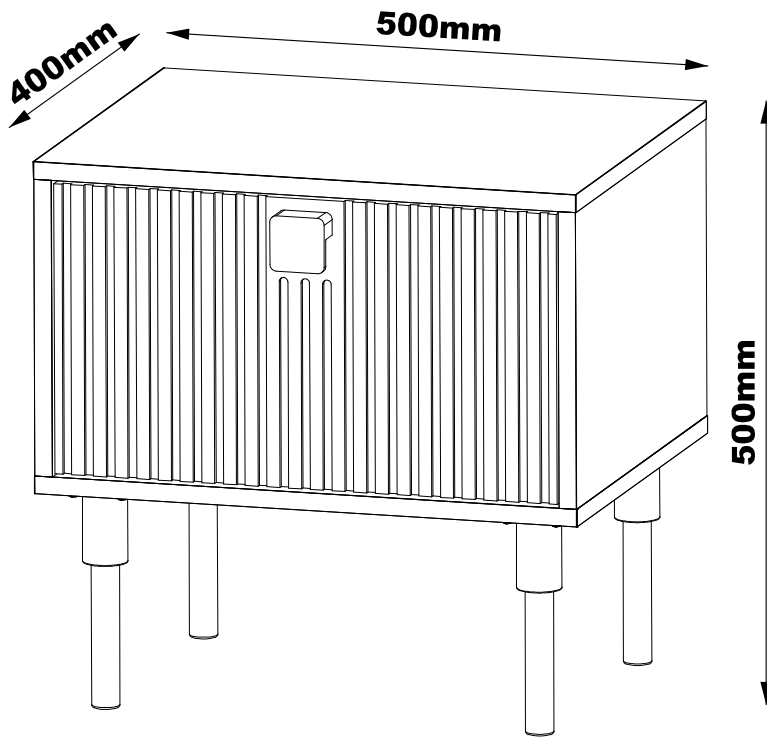


DORSET

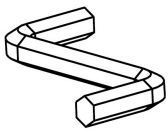
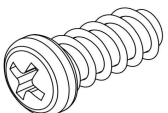
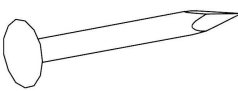
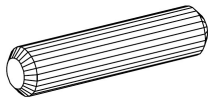
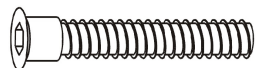

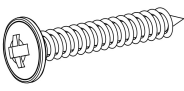
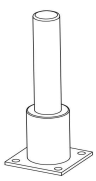
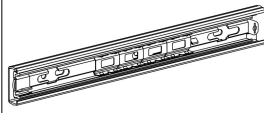

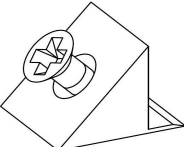
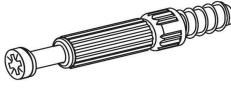
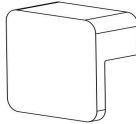
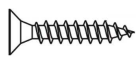
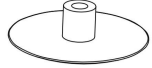
DORSET 04

OP-191

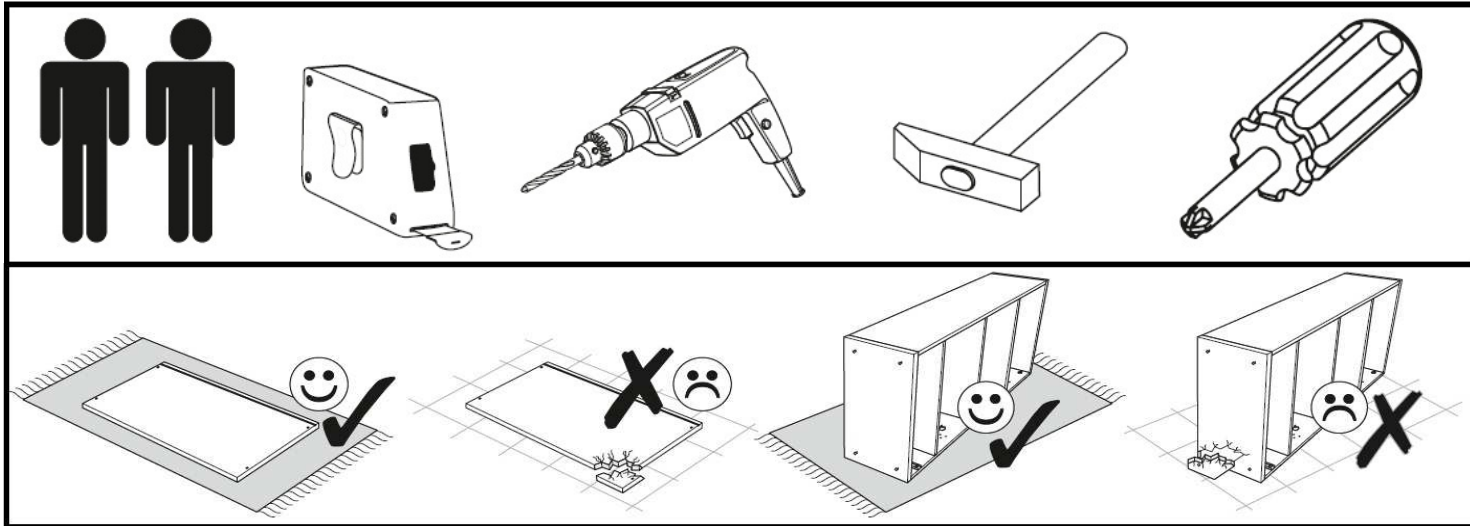


## Table accessories

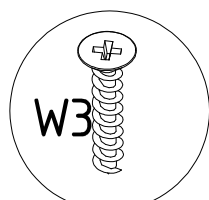
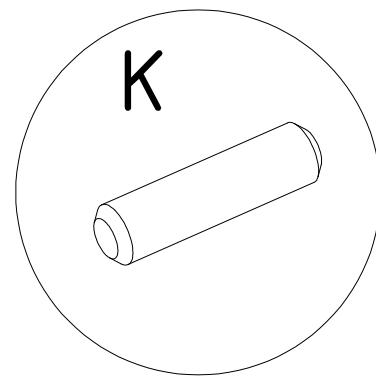
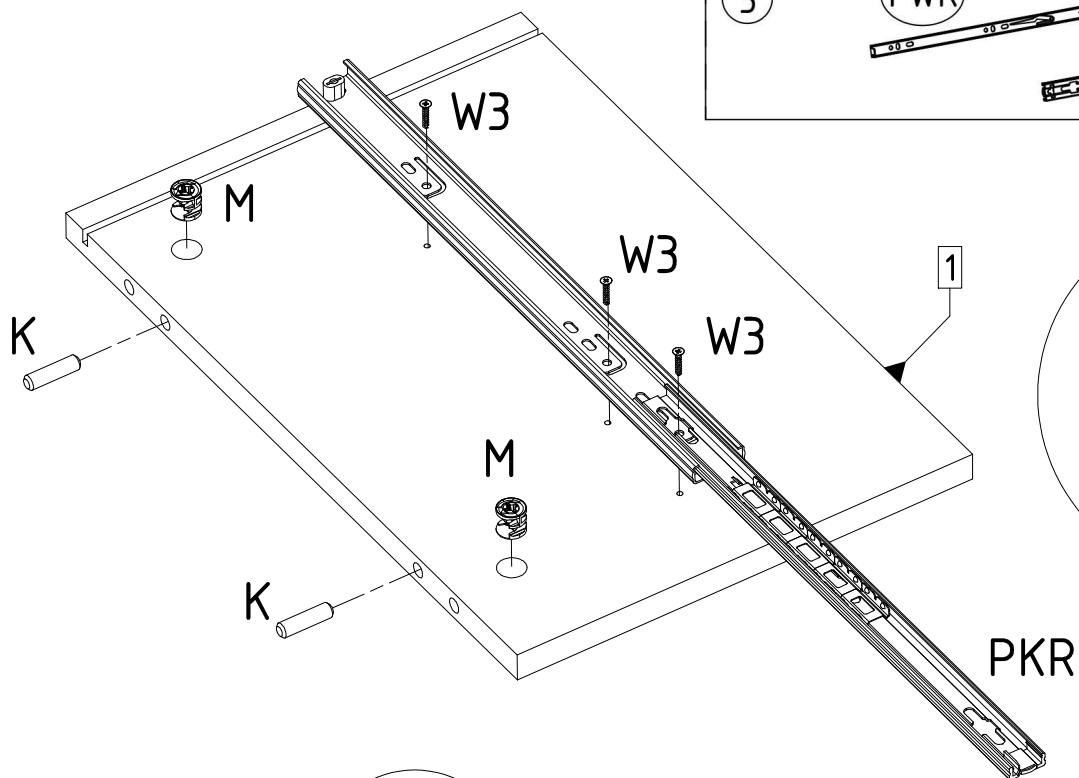
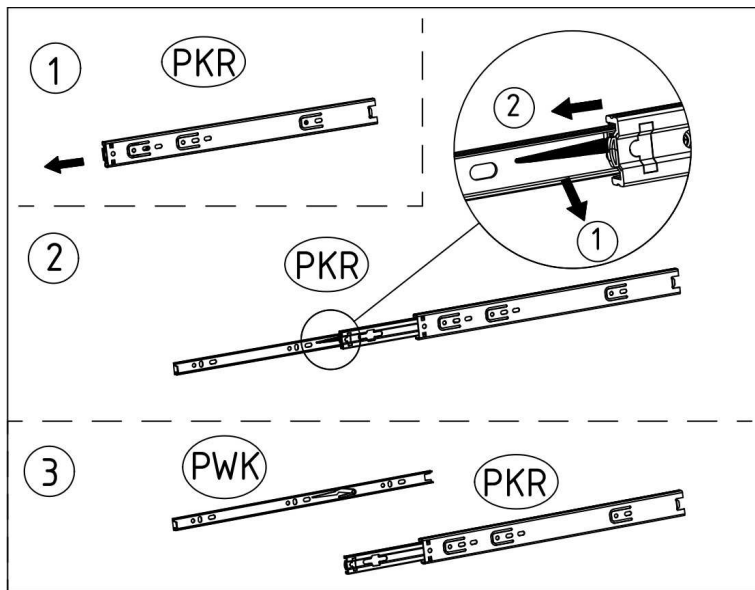
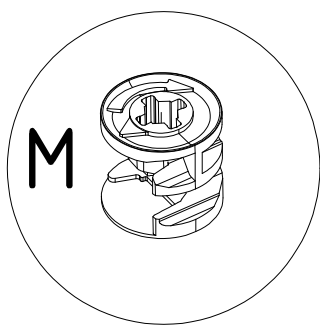
### DORSET 04

 <b>A1</b>	6,3 X 13  <b>E13</b>	 <b>G</b>	8 x 30  <b>K</b>	6,3 X 50  <b>KN</b>
15 x 12  <b>M</b>	4 x 30  <b>M30</b>	 <b>NT=200mm</b>	L350  <b>PKR</b>	L350  <b>PWK</b>
 <b>ST</b>	6 x 34 mm  <b>T</b>	<b>50 x 50</b>  <b>UK</b>	3 x 16mm  <b>W3</b>	 <b>Z</b>

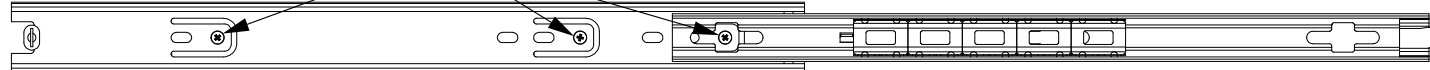
Elements				Accessories	
SYMBOL	LENGTH	WIDTH	QUANTITY	SYMBOL	QUANTITY
BL [1]	400	268	1	A1	1
BP [2]	400	268	1	E13	16
FTS [3]	463	262	1	G	11
KBL [4]	350	180	1	K	8
KBP [5]	350	180	1	KN	8
KD [6]	439	354	1	M	8
KT [7]	411	180	1	M30	2
PC [8]	274	478	1	NT200mm	4
WD [9]	500	400	1	PKR [L=350mm]	2
WG [10]	500	400	1	PWK [L=350mm]	2
				ST	8
				T	8
				UK_50x50	1
				W3	10
				Z	8

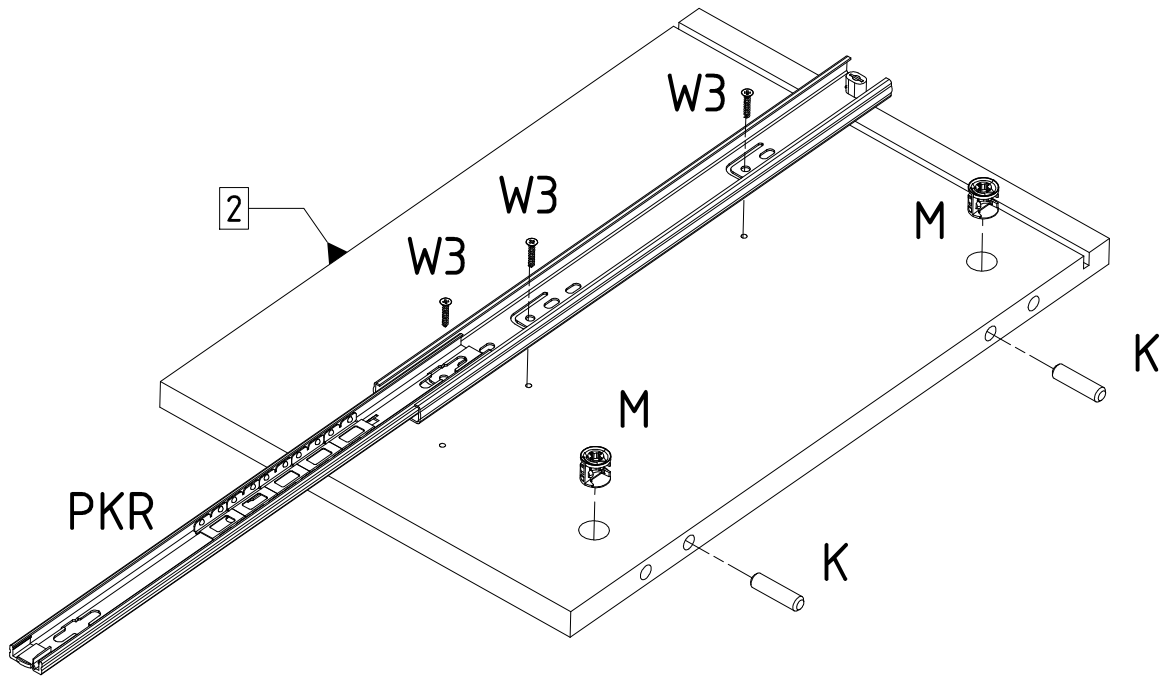


1.

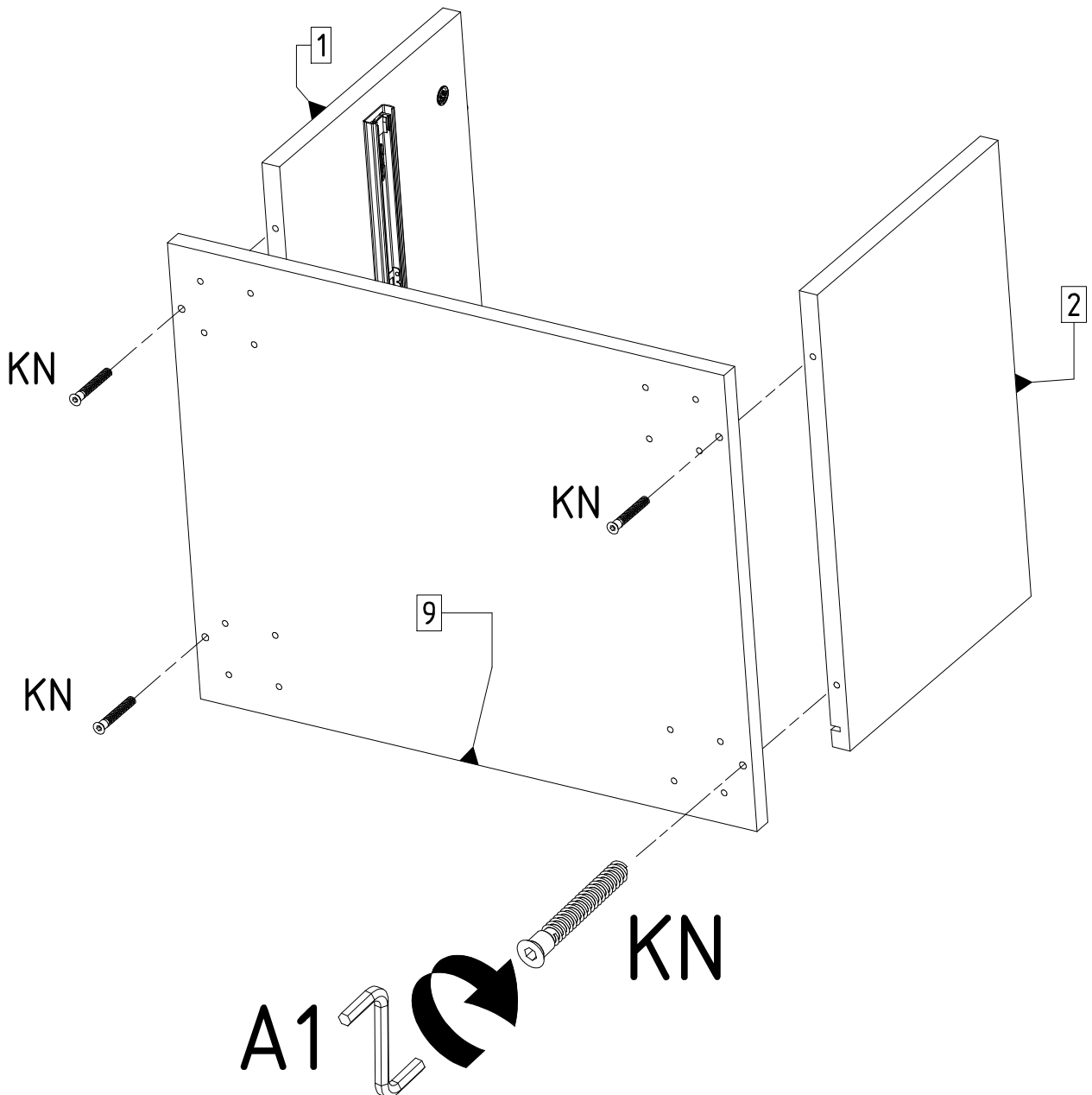


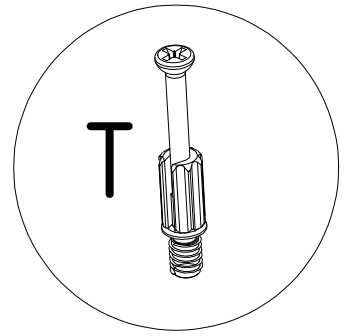
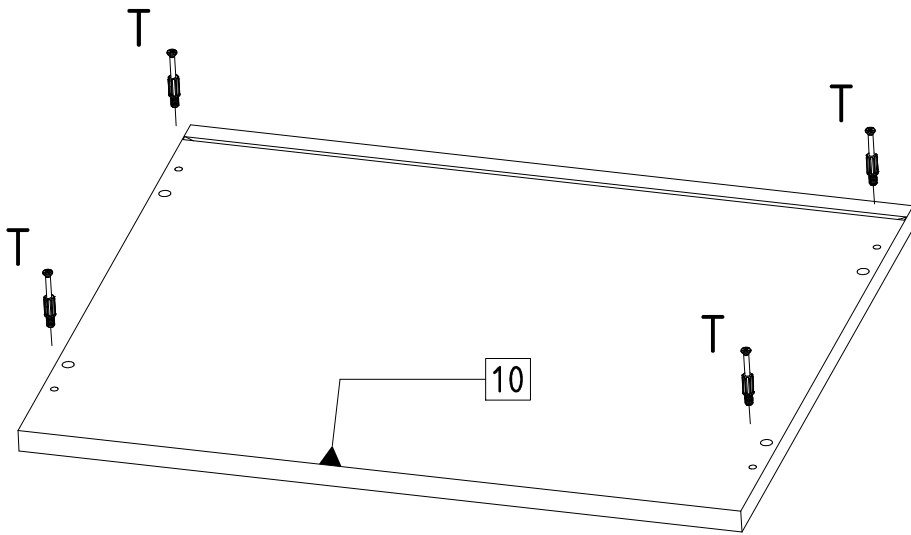
PKR



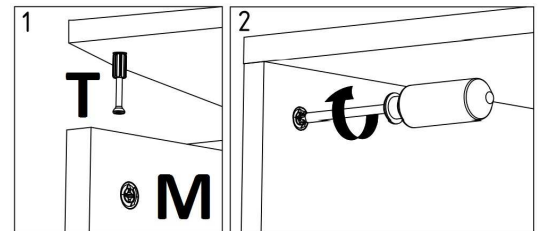
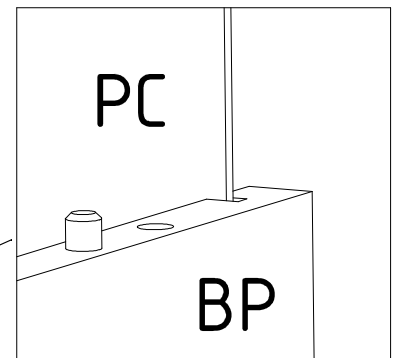
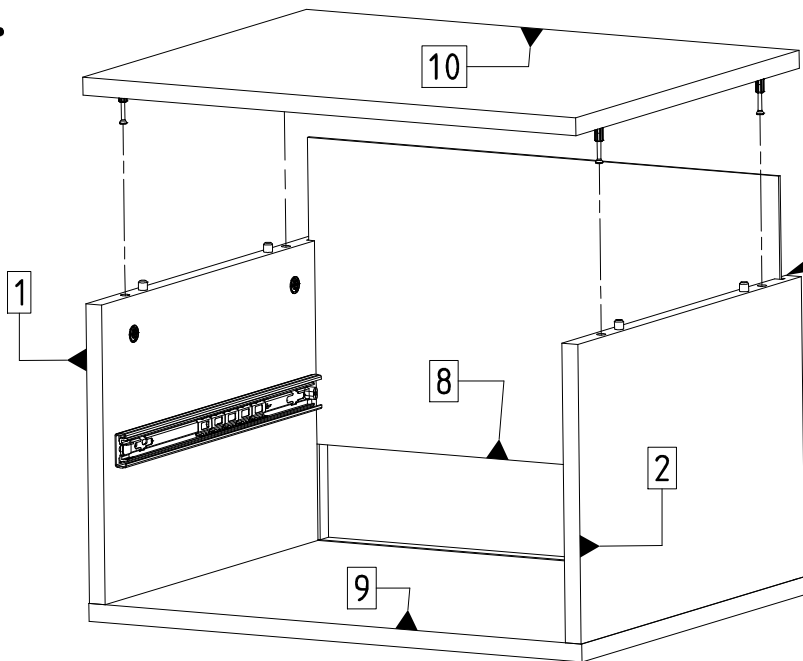


2.

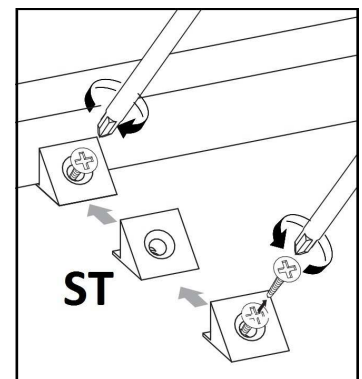
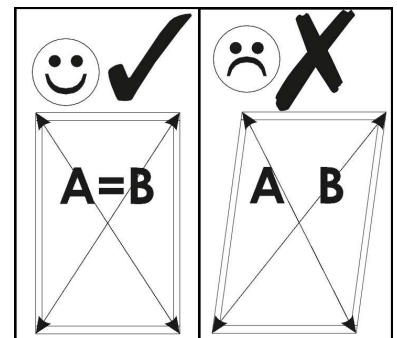
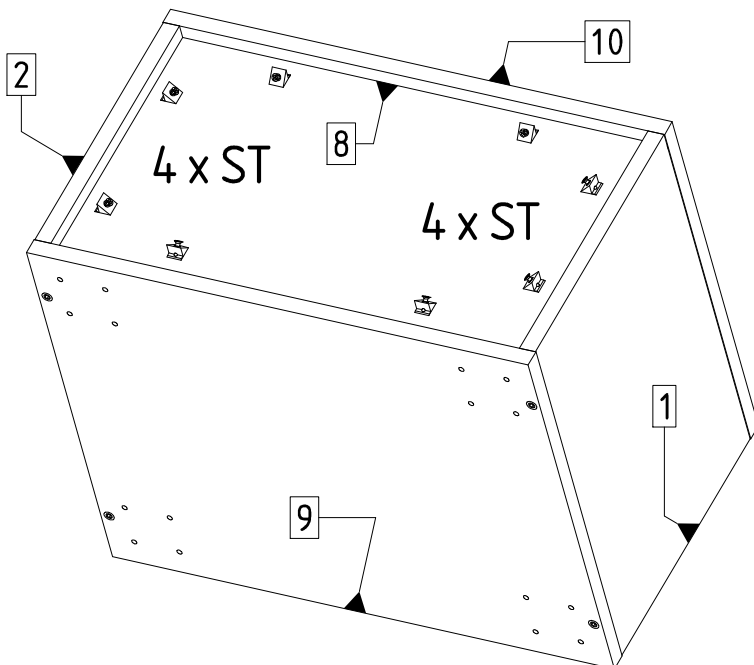




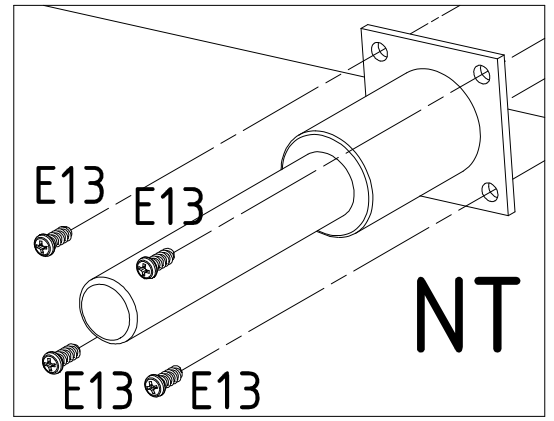
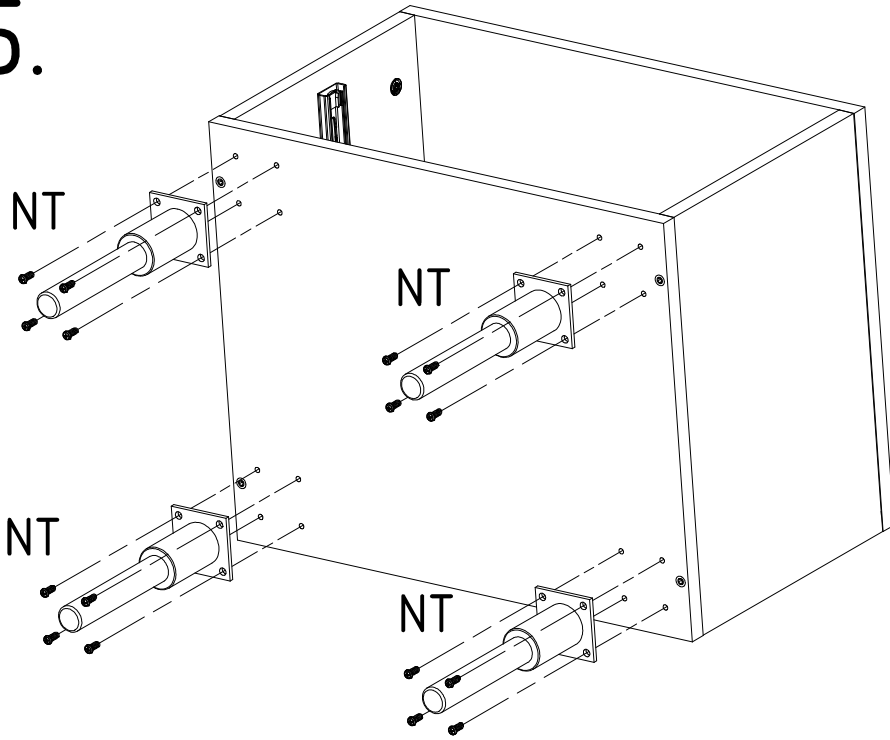
3.



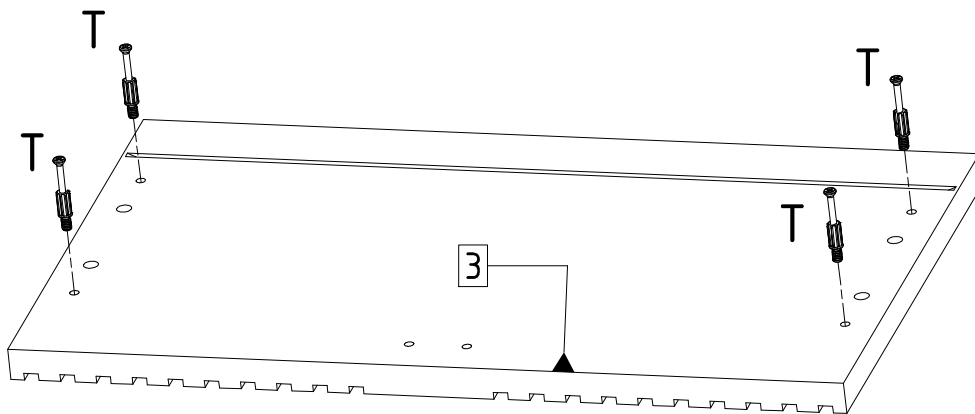
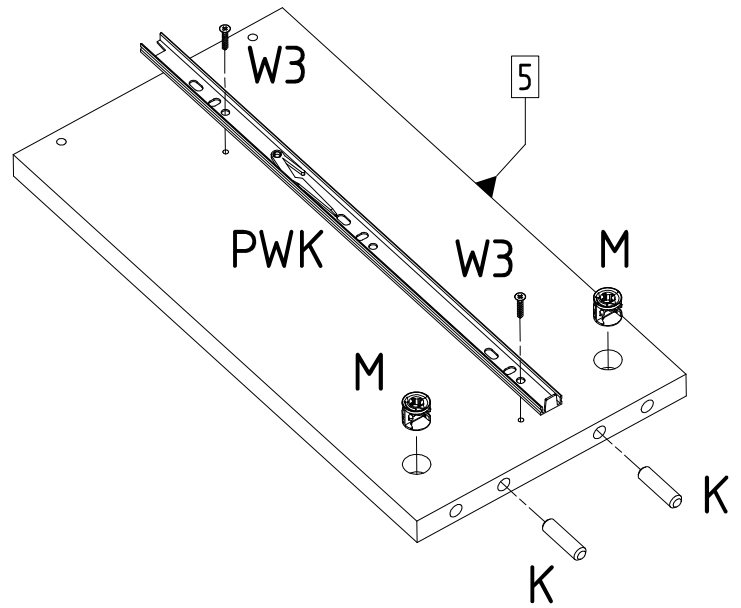
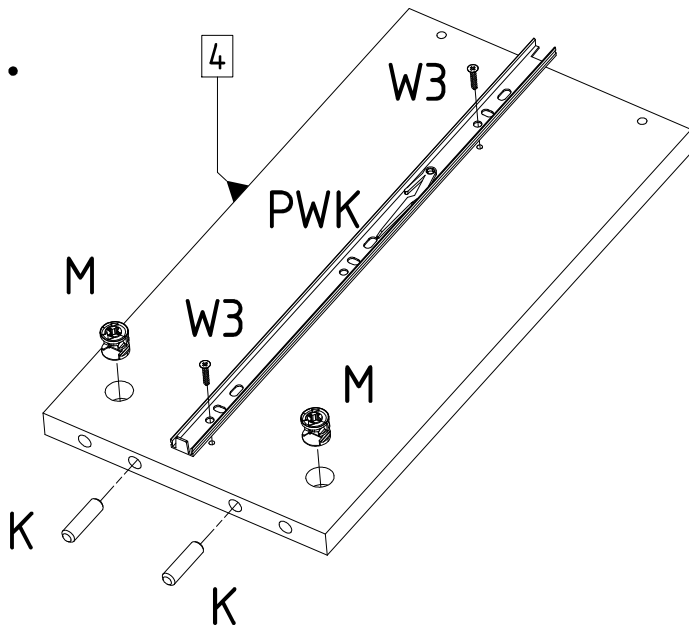
4.



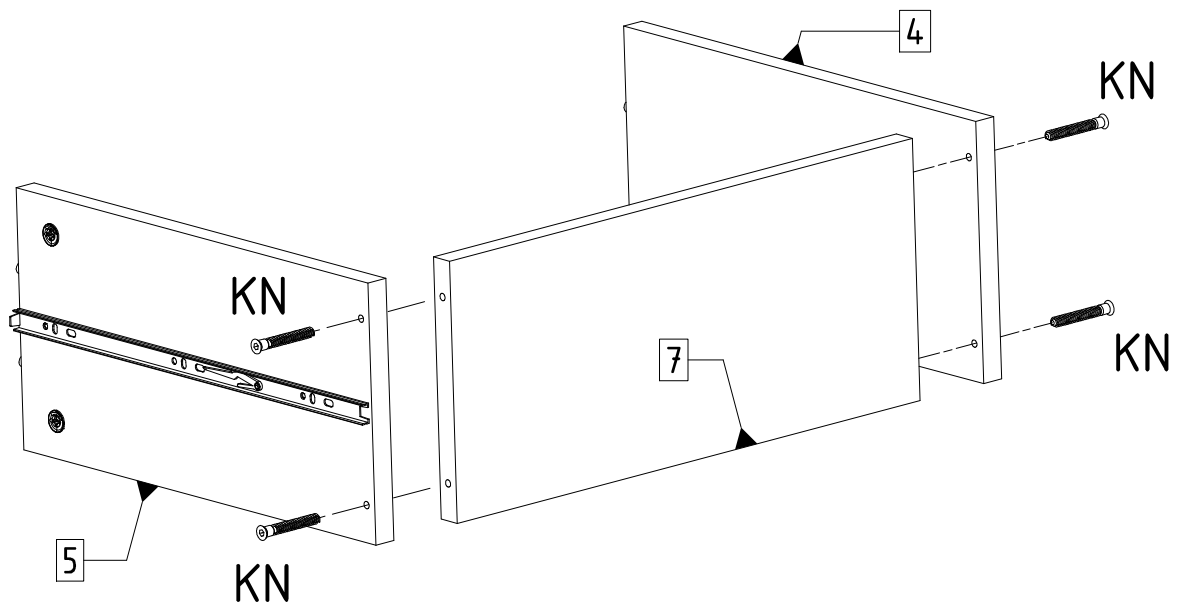
5.



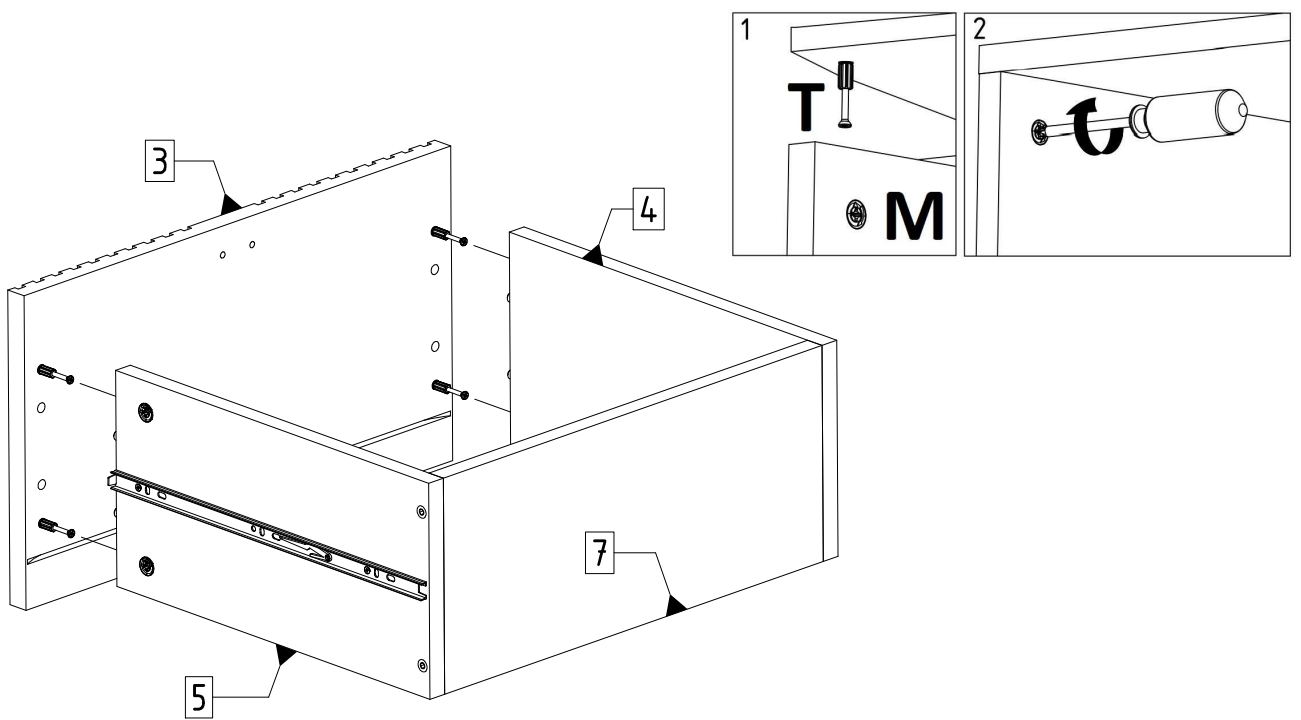
6.



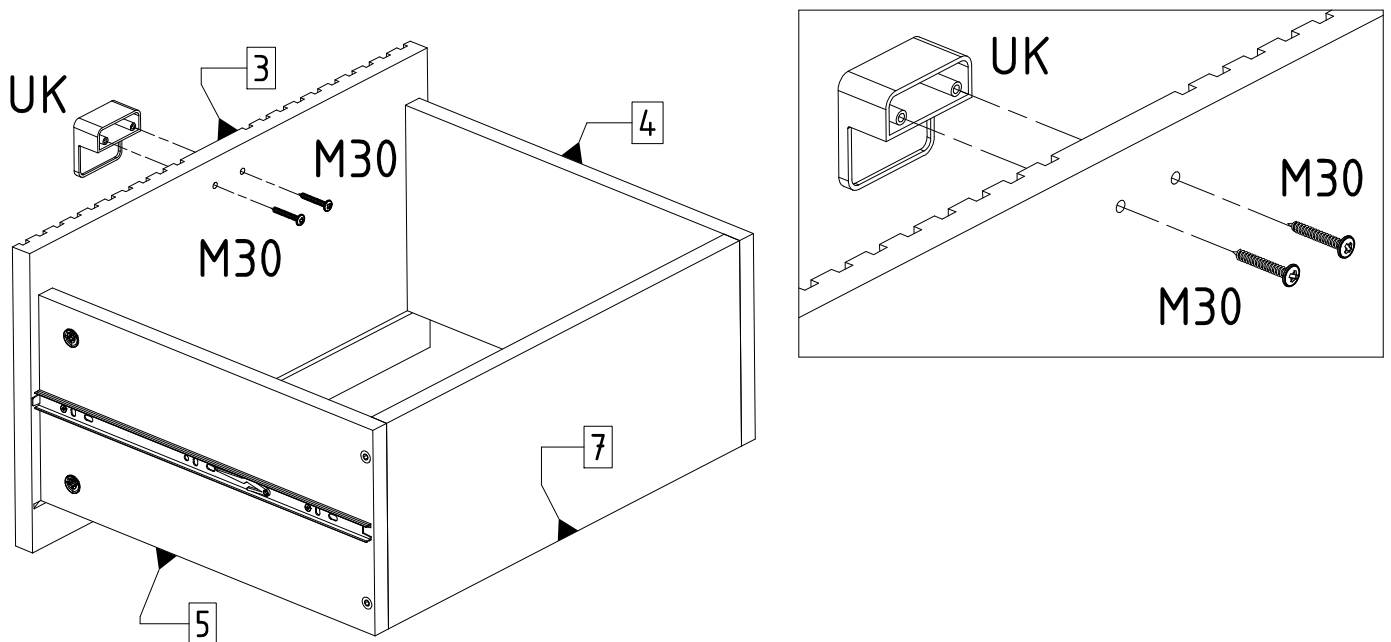
7.



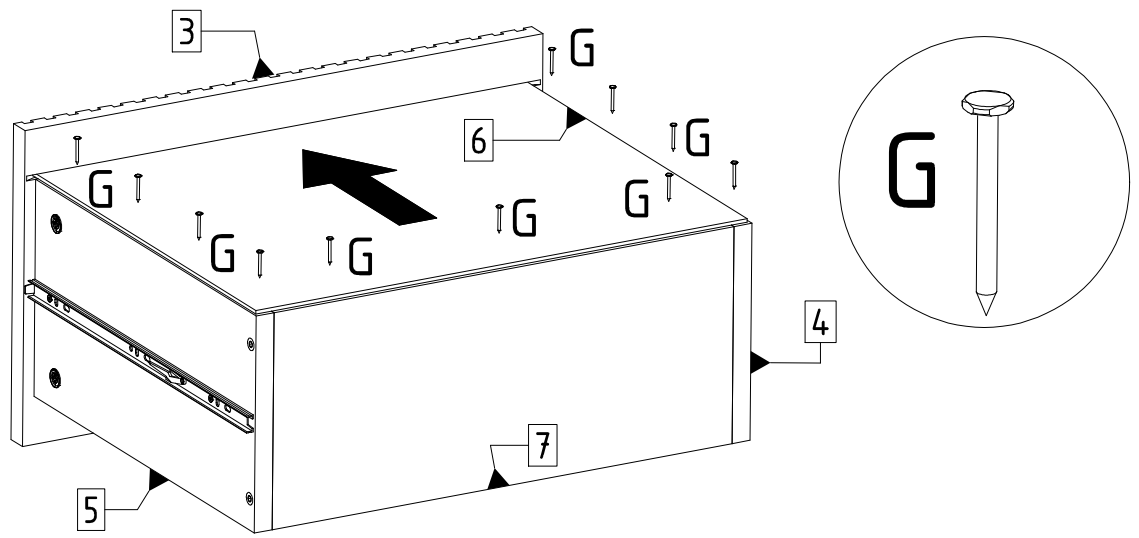
8.



9.



10.



11.

